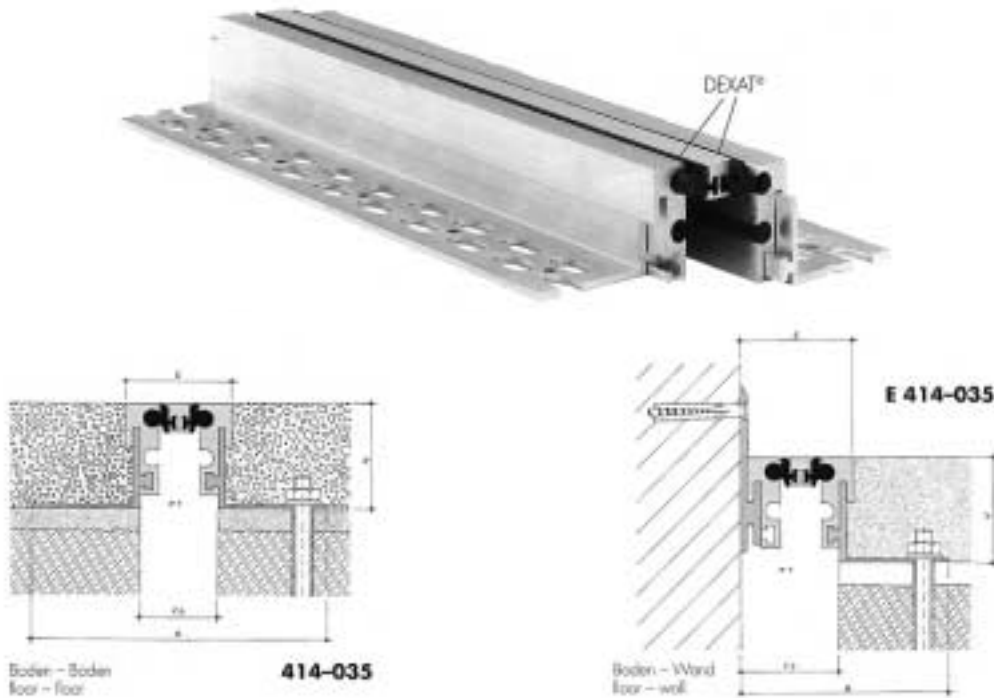


Movement Joints (UK Ltd)

P O Box 10, Wisbech,
Cambridgeshire PE13 4AN
Tel: 01945 450736 Fax: 01945 450819
Web: www.mjuk.co.uk
e-mail: info@mjuk.co.uk

414 Floor Series

Metal and Nitriflex®



Profile Number	414-035
Fb - joint width (mm) up to	35
Heights (mm)	43 / 48 / 58 / 63* / 68 / 88
B (mm)	135/155*
Visible width (mm)	40
Accommodation of movement w (mm) total	4 (+/-2)
Insert Colours	black, grey
Material	Nitriflex®, Aluminium
Standard Length (m)	4
Load Bearing capacity (kN)	

- Applications:** For all finishes (Screed, natural stone, cast stone etc)
- Profile characteristics** Smooth surface, attractive design, high load bearing capacity
- Profile installation:** See tips for planning and installation

IMPORTANT

Whilst all reasonable care is taken in compiling technical data on the company's products, all recommendations or suggestions regarding the use of such products are made without guarantee since the conditions of use are beyond the company. It is the customers responsibility to satisfy himself that each product is fit for the purpose for which he intends to use it and that the actual conditions of use are suitable.

