

426/alr SERIES

All metal medium to heavy duty profiles

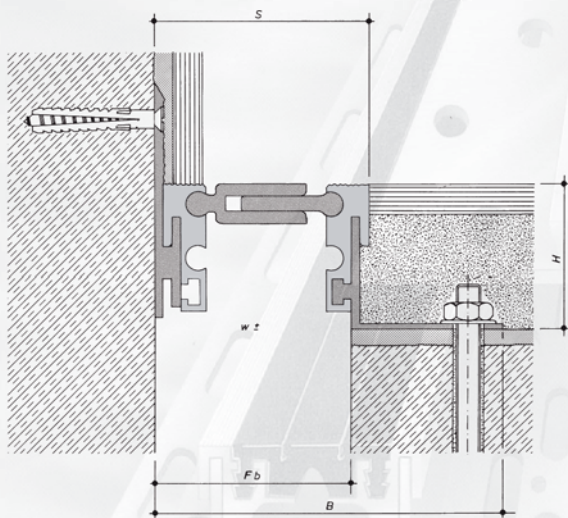
For use in
hospitals • airports • shopping centres • rail stations
• sport stadiums • car parks • factories

Features:

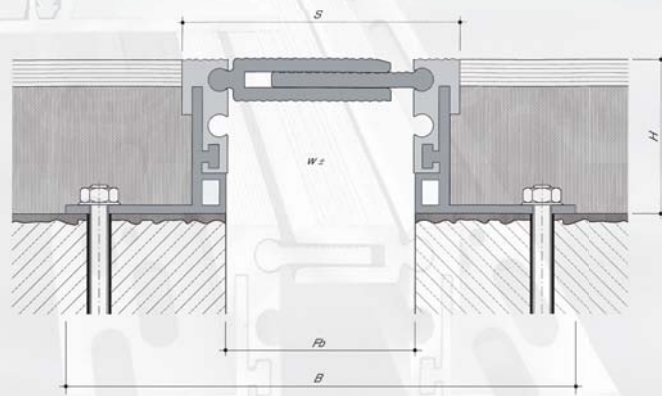
- Attractive finish
- Solid aluminium construction
- Good anti-slip and cleaning properties due to a 'corrugated' style finish rather than a 'grooved' finish as found on alternative systems.
- Multi-directional movement:
Vertical, Horizontal and longitudinal
- Standard 4 metre lengths
- Floor to wall options
- Ability to mix leg heights to accommodate differing screed depths

Installation:

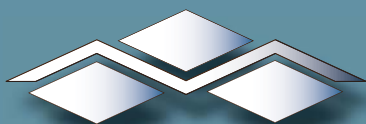
Laid on to epoxy mortar levelling bed, nominal 10mm deep and mechanically fixed symmetrically at 300mm centres, with M8 x 110mm resin anchor fixing or M10 concrete self tapping type bolt



Floor to wall options, fixing to wall may be rotated to be hidden below surface level



Profile reference	426/alr-050	426/alr-080	426/alr-100
Fb - Joint widths upto (mm)	50mm	80mm	100mm
H - Heights (mm)	43 / 48* / 58 / 63* / 68 / 88 / 108mm	43 / 48* / 58 / 63* / 68 / 88 / 108mm	43 / 48* / 58 / 63* / 68 / 88 / 108mm
B - Overall width (mm)	155mm / *175mm	180mm / *200mm	225mm / *245mm
S - Visible width (mm)	70mm	95mm	135mm
Accommodation of movement (mm)	10mm (+/-5mm)	20mm (+/- 10mm)	30mm (+/- 15mm)
Material	aluminium	aluminium	aluminium
Load Bearing capacity (kN)	120kN 70kN	25kN 25kN	25kN 25kN



Movement Joints (UK) Ltd,

Unit 3, 57 Thorby Avenue, March, Cambridgeshire PE15 0AZ United Kingdom

Tel: 01354 60 79 60 Fax: 01354 60 78 33

Web: www.mjuk.co.uk e-mail: info@mjuk.co.uk

IMPORTANT: Whilst all reasonable care is taken in compiling technical data on the company's products, all recommendations or suggestions regarding the use of such products are made without guarantee since the conditions of use are beyond the company. It is the customers responsibility to satisfy himself that each product is fit for the purpose for which he intends to use it and that the actual conditions of use are suitable.