

Movement Joints (UK)

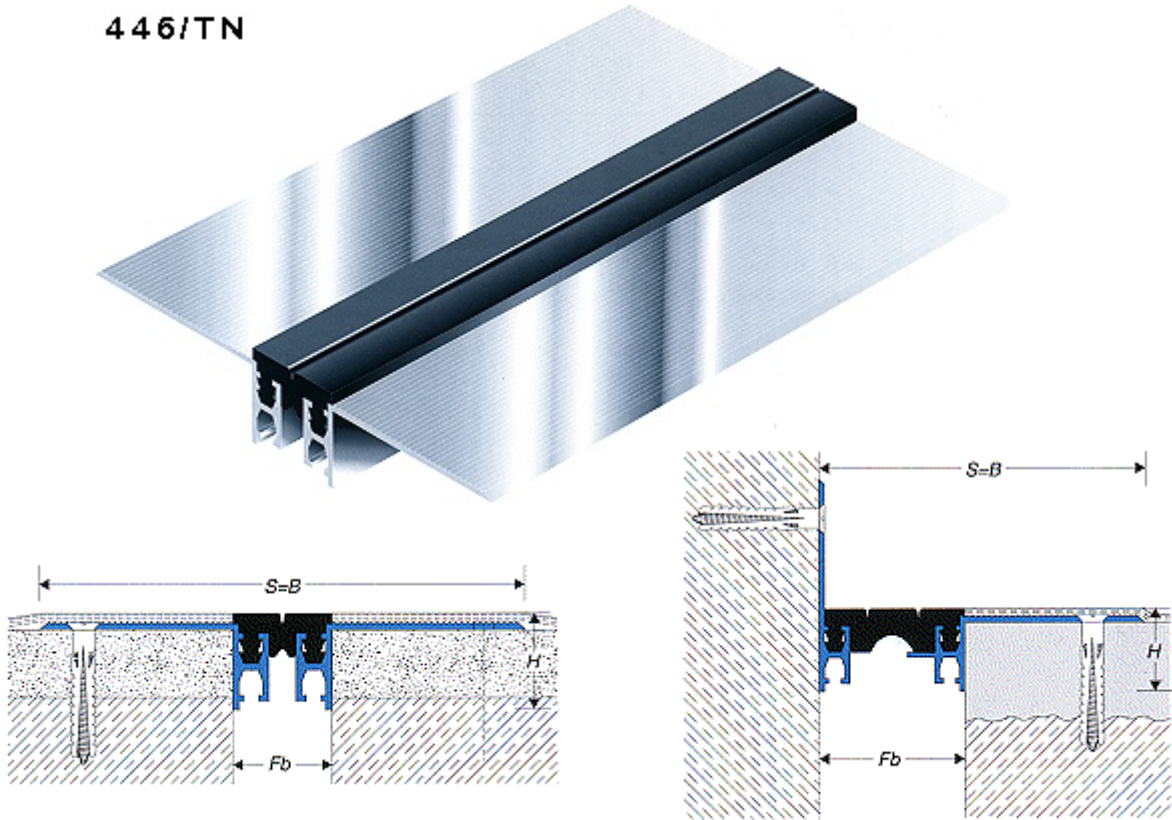
P O Box 10, Wisbech, Cambridgeshire PE13 4AN
 Tel: 01945 450736 Fax: 01945 450819
 Web: www.mjuk.co.uk
 e-mail: info@mjuk.co.uk

446/TN (5) Floor Series

Retrofit for 5mm carpeted finishes

Metal and Nitriflex®

446/TN



Raised inserts of 5mm for carpet floor covering.

Profile Number	446/TN-020 (5)	446/TN-030 (5)	446/TN-050 (5)
Fb – Minimum joint width (mm)	20	30	50
H - Heights (mm)	22	31	31
B - Overall width (mm)	120	150	175
S - Visible width (mm)	120	150	75
Accommodation of movement (mm)	6 (+/-3)	10 (+/-5)	14 (+/-7)
Insert colours	black, grey (other colours available)		
Material	Aluminium, Nitriflex®		
Standard Length (metres)	4		
Load Bearing capacity (kN)			

Applications:

For all finishes (Screed, natural stone, cast stone etc)

Profile characteristics

For subsequent installation, smooth surface option, replaceable inserts

Profile installation:

See tips for planning and installation



IMPORTANT

Whilst all reasonable care is taken in compiling technical data on the company's products, all recommendations or suggestions regarding the use of such products are made without guarantee since the conditions of use are beyond the company. It is the customers responsibility to satisfy himself that each product is fit for the purpose for which he intends to use it and that the actual conditions of use are suitable.