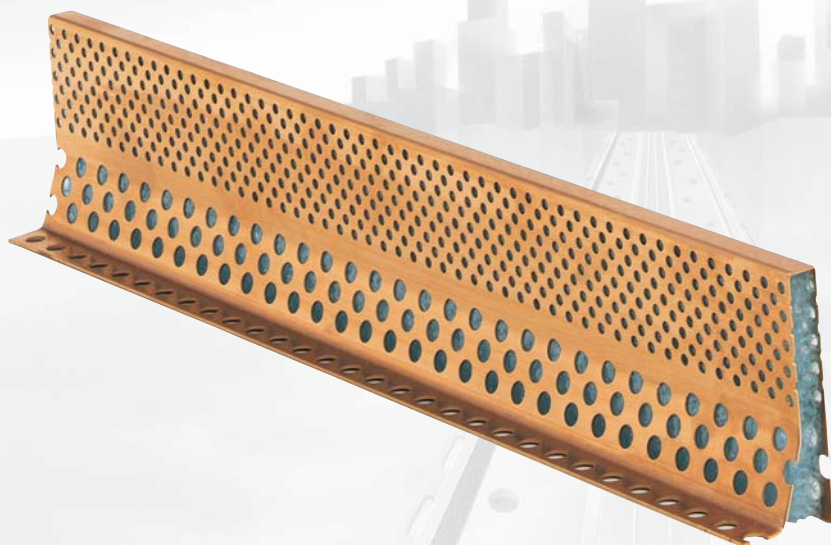


494/MS SERIES

Intermediate Movement Joints (Field Limitation Joints)

For use in
hospitals • airports • shopping malls • exhibition halls

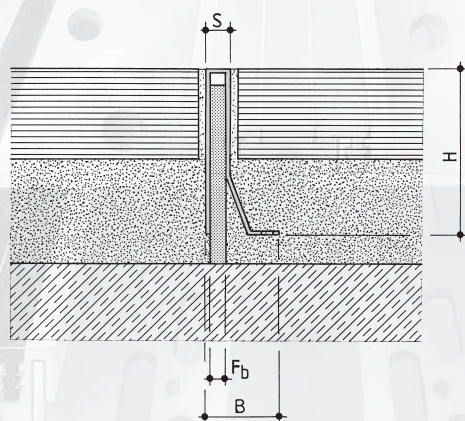




Features:

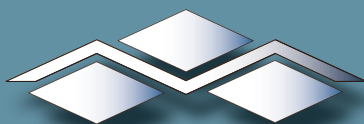
Brass frame with central foam core

Standard 2 metre lengths,

Perforated side plates for with cant leg to one side providing excellent bonding properties.



Profile reference	494/MS
Fb - Joint widths upto (mm)	8mm
H - Heights (mm)	55mm
S - Visible width (mm)	10mm
B - Overall Width mm	25mm
Material:	Brass / foam
Standrad length	2 metres
Load Bearing capacity (kN)	 



Movement Joints (UK) Ltd,
Unit 3, 57 Thorby Avenue, March, Cambridgeshire PE15 0AZ United Kingdom
Tel: 01354 60 79 60 Fax: 01354 60 78 33
Web: www.mjuk.co.uk e-mail: info@mjuk.co.uk

IMPORTANT: Whilst all reasonable care is taken in compiling technical data on the company's products, all recommendations or suggestions regarding the use of such products are made without guarantee since the conditions of use are beyond the company. It is the customers responsibility to satisfy himself that each product is fit for the purpose for which he intends to use it and that the actual conditions of use are suitable.