

820 SERIES

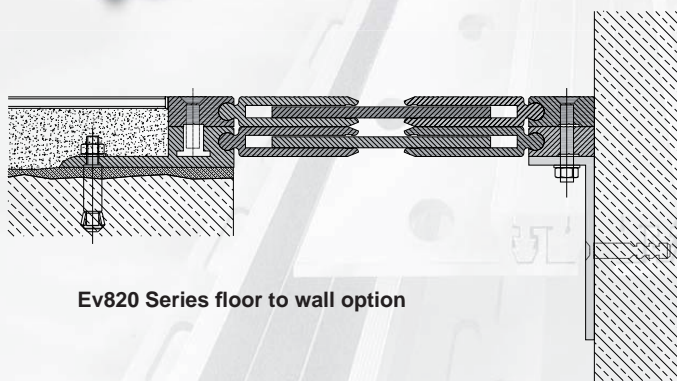
All metal medium duty floor profiles

For use in
hospitals • airports • shopping centres • rail stations
• sport stadiums • schools



Features:

- Attractive finish
- Solid aluminium construction
- Good anti-slip and cleaning properties due to a 'corrugated' style finish rather than a 'grooved' finish as found on alternative systems.
- Multi-directional movement:
Vertical, Horizontal and Longitudinal
- Standard 4 metre lengths
- Floor to wall options
- Ability to mix leg heights to accommodate differing screed depths



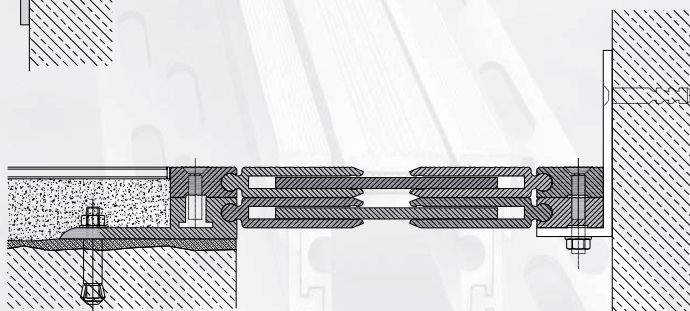
Ev820 Series floor to wall option

Installation:





Laid on to epoxy mortar levelling bed, nominal 10mm deep and mechanically fixed symmetrically at 300mm centres, with M8 x 110mm resin anchor fixing or M10 concrete self tapping type bolt

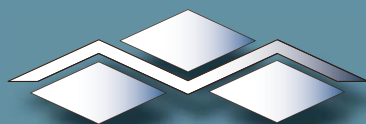
Floor to wall options:

Hidden/below floor level fixing: Ev820 Series and
Exposed/above floor level fixing: E820 series



E820 Series floor to wall option

Profile reference	820-135	820-210	820-250	820-340
Fb - Joint widths upto (mm)	135mm	210mm	250mm	340mm
H - Heights (mm)	32 mm or 45.5mm	32 mm or 45.5mm	32 mm or 45.5mm	32 mm or 45.5mm
B - Overall width (mm)	295mm	380mm	410mm	505mm
S - Visible width (mm)	195mm	280mm	310mm	405mm
Accommodation of movement (mm)	40mm (+/-20mm)	100mm (+/- 50mm)	120mm (+/- 60mm)	150mm (+/-75mm)
Colour	aluminium	aluminium	aluminium	aluminium
Load Bearing capacity (kN)				



Movement Joints (UK) Ltd,
Unit 3, 57 Thorby Avenue, March, Cambridgeshire PE15 0AZ United Kingdom
Tel: 01354 60 79 60 Fax: 01354 60 78 33
Web: www.mjuk.co.uk e-mail: info@mjuk.co.uk

IMPORTANT: Whilst all reasonable care is taken in compiling technical data on the company's products, all recommendations or suggestions regarding the use of such products are made without guarantee since the conditions of use are beyond the company. It is the customers responsibility to satisfy himself that each product is fit for the purpose for which he intends to use it and that the actual conditions of use are suitable.